



AQUALife[®]
BY STRONG[®] SPAS

Spa Pre-Delivery Guide
strongspasupport.com • 1-800-787-6649

Delivery...

Your spa will be delivered curbside to your home. It is delivered on end, wrapped on a sturdy pallet for convenient placement. You will need to arrange to have your spa placed in your desired location. When your spa delivery company calls to set up a delivery appointment, you may choose to make arrangements with them to place your spa for an additional fee. If that is not a service they can provide, we recommend consulting professionals who have experience moving large items.



Carefully review the route that the spa will take through your property. Make sure there is sufficient clearance. Keep in mind an Essential acrylic spa, when wrapped on a pallet, is approximately 96" high x 94" wide x 44" deep... and a rotationally molded spa, on its pallet will measure 65-85" high x 72-80" wide x 32-37" deep, depending on model.

Are there any obstacles along the way? Low hanging branches? Bushes? Air conditioning or heating units?

Are there any steps along your chosen route? If so, is there an alternate route? Please note that an empty acrylic spa weighs close to 1000 lbs., and a rotationally molded spa 330-435 lbs., so choose the safest and most direct route possible. We recommend hiring professionals to avoid physical harm or property damage.

Choose your location...

Consider your view from the spa as well as your view of the spa. Keep in mind seasonal changes in landscape. Areas that are very private in warmer months might not be so private when leaves have fallen. Consider planting some additional non-deciduous plants or trees to create a year-round private retreat in your own backyard.



- Do not place spa within 10' (3m) of overhead power lines.
- Does your city or county require any permits for your installation?
- Are any barriers or fencing required in your area to prevent children from accessing an unattended spa?

If you choose to install a gazebo or other decorative structure around your spa, keep in mind accessibility to your spa's components. It is always best to design special installations so that the spa's convenient side access panels or equipment access door can be reached.

Consider the weight of the spa...

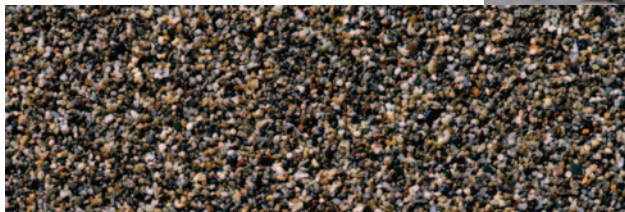
When installing your spa on a deck or other structure, please consult a qualified contractor to ensure the structure will support the weight of your spa. To properly identify the weight of your new spa when full, remember water weighs 8.33 lbs. per gallon. For example, an average Essential acrylic spa holds approximately 350 gallons of water. Using this formula, you will find that the weight of the water alone is 2,916 lbs. Combined with the dry weight of the spa you will note that many Essential acrylic spas will weigh close to 4,000 lbs. when full of water. Add to this the weight of the occupants.

Our line of smaller, fully rotationally molded spas weigh far less, ranging from 2,050 - 2,750 lbs. filled. Add to this the weight of the occupants.



The best foundation...

We recommend placing your spa on a solid, level, stable surface such as concrete, stone or pavers... even a base of fine stones or gravel will work. Or you may place your Essential Spa on a deck engineered to hold the weight of your filled spa and its occupants.



Electrical Requirements 120V Spas



A GFCI cord is supplied with your spa.

Your spa must be wired with a GFCI either on the cord or on the outlet, but not both.

Follow all local, state and federal electrical codes.

Use only a line with a dedicated 15 Amp breaker.

This line cannot be shared with any other appliances while the spa is running or the breaker will trip immediately.

Do not use extension cords between the wall outlet and the spa or the breaker will trip immediately and can be a potential fire hazard.

The plug should be easily accessible to users.

The receptacle should be protected from the weather.

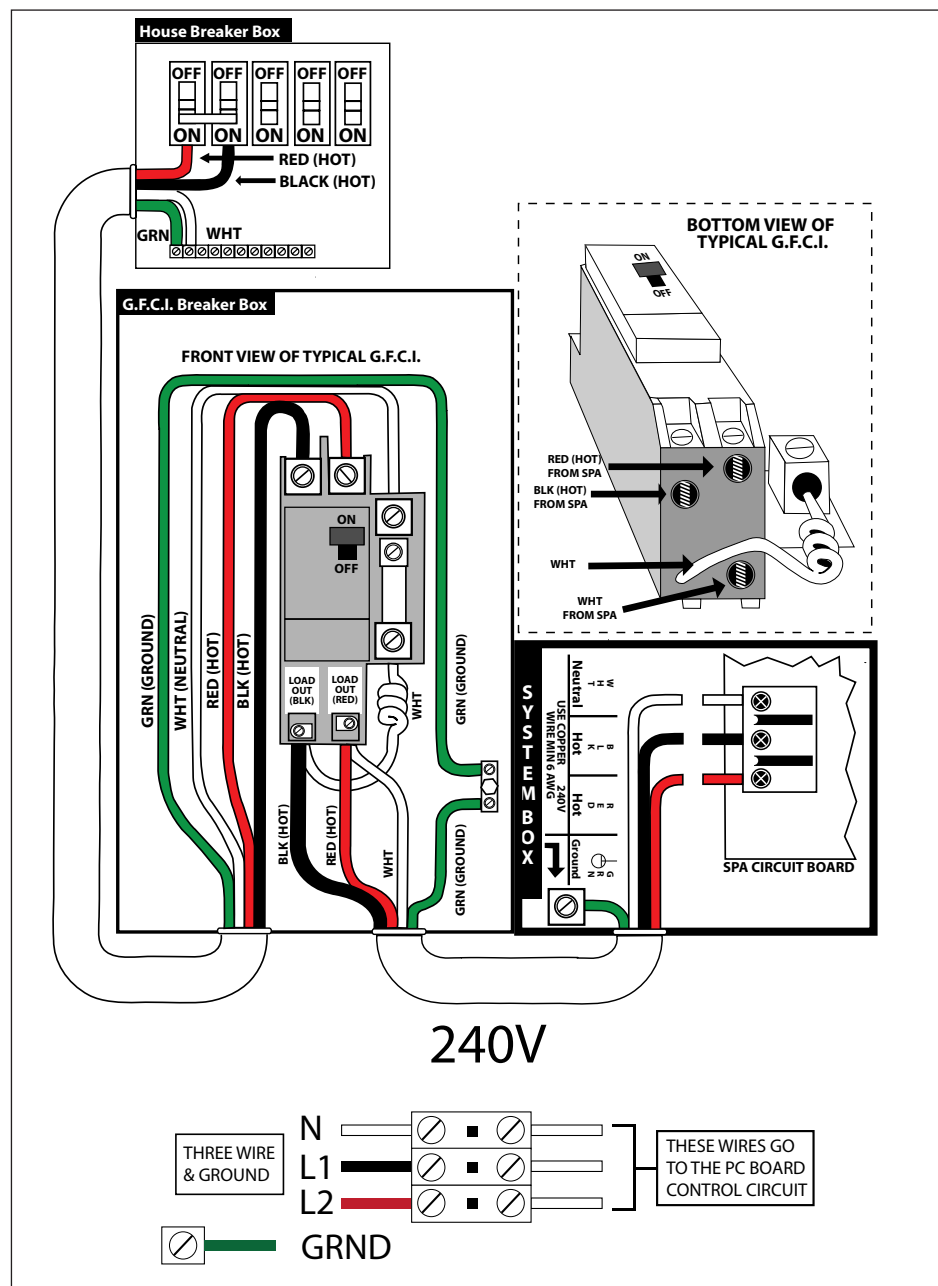
Metal surfaces within 5 feet of the spa must be grounded to the spa.

Electrical Requirements 240V Spas

Electrical connections must be made by qualified, licensed personnel. Improper installations present hazards, which can result in personal injury or property damage. Please contact a licensed residential electrician for these services. When installed in the United States, the electrical wiring of this spa must meet the requirements of the National Electric Code, and must meet any local, state and federal codes.

Power supply installation must include a properly rated GFCI circuit breaker. The circuit must be dedicated and should not be shared with any other appliances. It should be labeled and easily accessible to users. The power supply must be hard wired into the power pack.

REFER TO INDIVIDUAL SPA SPECIFICATIONS FOR AMP REQUIREMENTS.



With planning and preparation,
you will be sure to have a safe
and successful delivery day!



strongspasupport.com • 1-800-787-6649